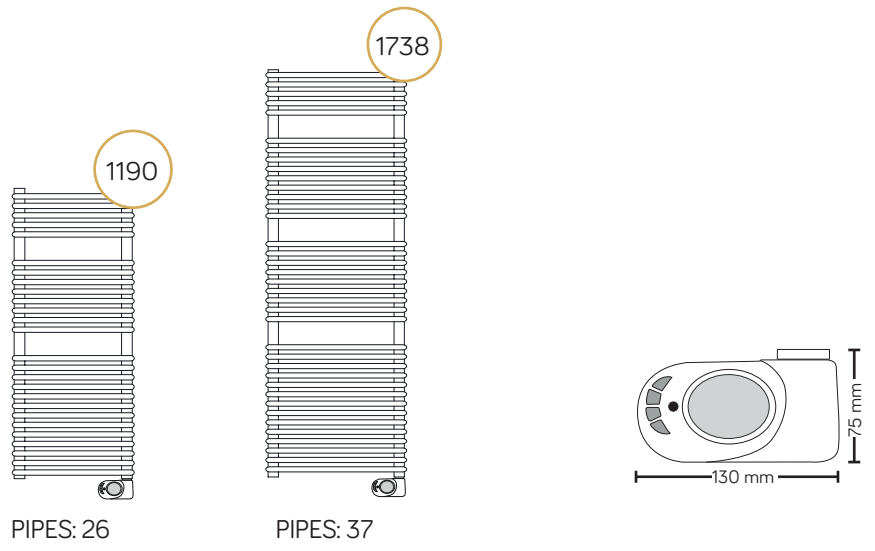


E-Elena

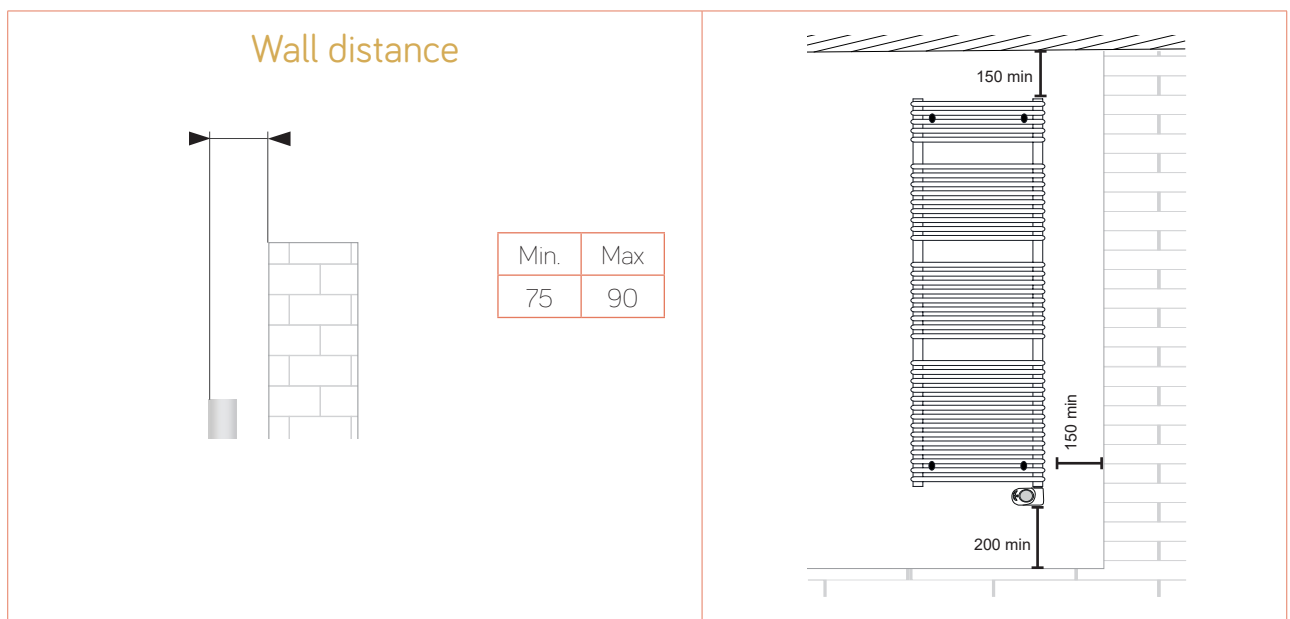


Technical sheet





Description	Straight
Material	Carbon steel
Pipes - Ø	22x12
Collectors - Ø	35x15
Wall fixings	4
Max temperature	75 °C
Paint	Epoxypolyester powder
Packaging (ECO packaging)	Cardboard box and protections
Protection rate	IP24
Electrical insulation	Class 2
Power source	230V - 50Hz
Heating element protection system	Overtemperature cut-out
Wire	Straight with shuko plug. Approx. length 1000 mm ca.
Standard equipment	1 kit wall fixing brackets



White RAL 9016 - straight

Code	Height mm	Width mm	Weight kg	Heating element watt	Heating element kcal/h	Heating element btu	Overtemperature °C
ELS50	1190	500	16,8	500	430	1706	105
ELX60	1738	600	27,6	750	649	2559	105

MAIN FUNCTIONS OF THE DIGITAL THERMOSTAT

